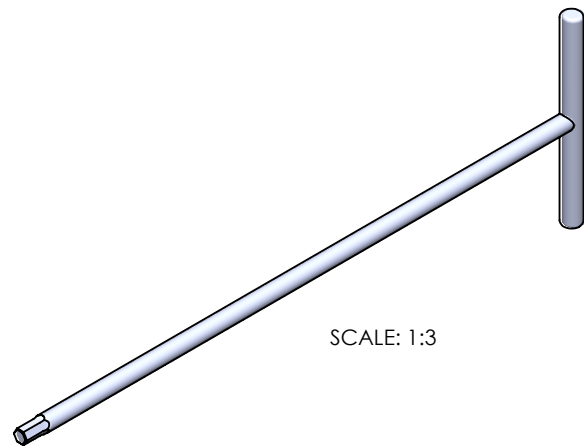


DETAIL A
SCALE 2 : 1



SCALE: 1:3

UNLESS OTHERWISE SPECIFIED: DIMENSIONS ARE IN INCHES			TOLERANCES: X.XX= ±0.13 X.XXX= ±0.015 X.XXXX= -0.0015		
DRAWN	NAME	SIGN	DATE		
APP'VD	A.T.		04.04.19		
MATERIAL:			SHAFT: 465 MAGNETIC S.S. HANDLE: 316 NON-MAGNETIC S.S.		TITLE: 1/4" WELDED 'T' HANDLE HEX KEY_SP12.00"
<i>THIS DRAWING IS THE PROPERTY OF STERITOOL, INC. ANY REPRODUCTIONS OR MODIFICATIONS OF THIS DRAWING OR ITS CONTENTS WITHOUT THE CONSENT OF STERITOOL, INC. IS PROHIBITED.</i>					PART NO. 72741_SP12
					SCALE: 1:1.5